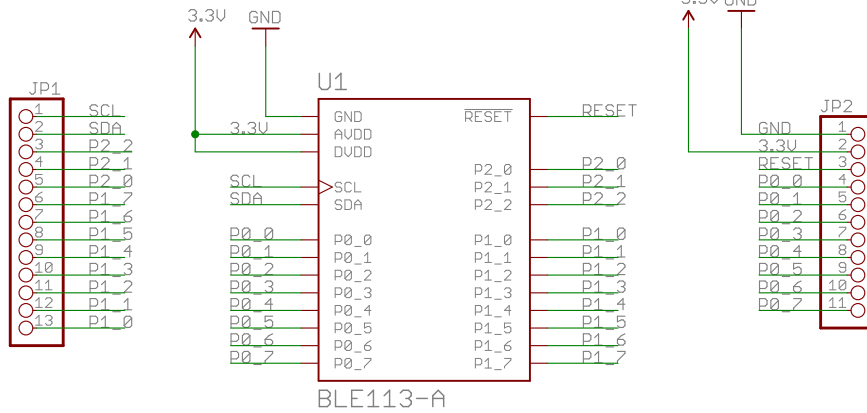
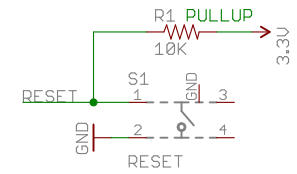


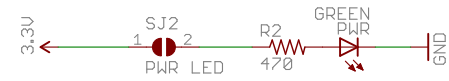
BLE113 MODULE



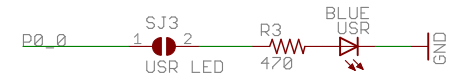
RESET SWITCH



POWER LED



USER LED

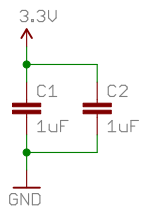


JETNEY

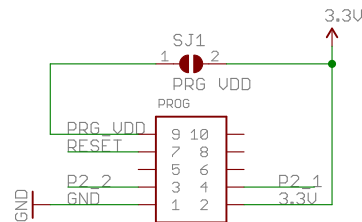
OSHW LOGO

OSHW LOGO

FILTER CAPS



CC HEADER



TITLE: BLE113 Breakout Board v2.0

Document Number:

REV:

Date: 3/10/2015 10:53:32 PM

Sheet: 1/1